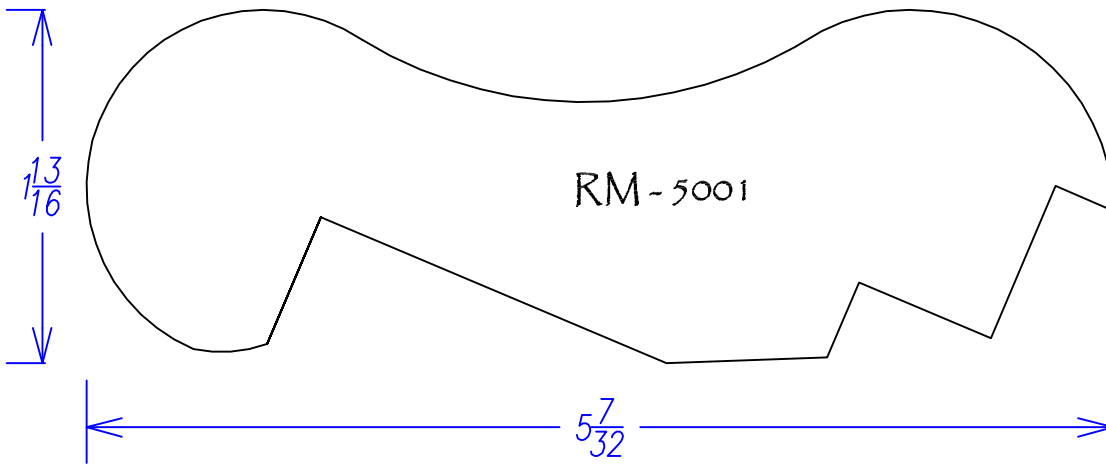


Rail Moulding





Rail Moulding



Tel 1-800-792-0695 Fax 717-859-5966 customturnings.com

rm 2