

Choose Turntech for your columns!



- . Diameters up to 16"**
- . Lengths up to 12'**
- . Roping & Fluting**
- . Virtually any wood**
- . Quick lead times**
- . Quality**
- . Value**
- . Helpful staff**

To Turntech's Valued Customer,

**You are not limited to the columns shown in these pages. Turntech also offers custom columns!
Please feel free to give us a call on a custom size or wood species.**

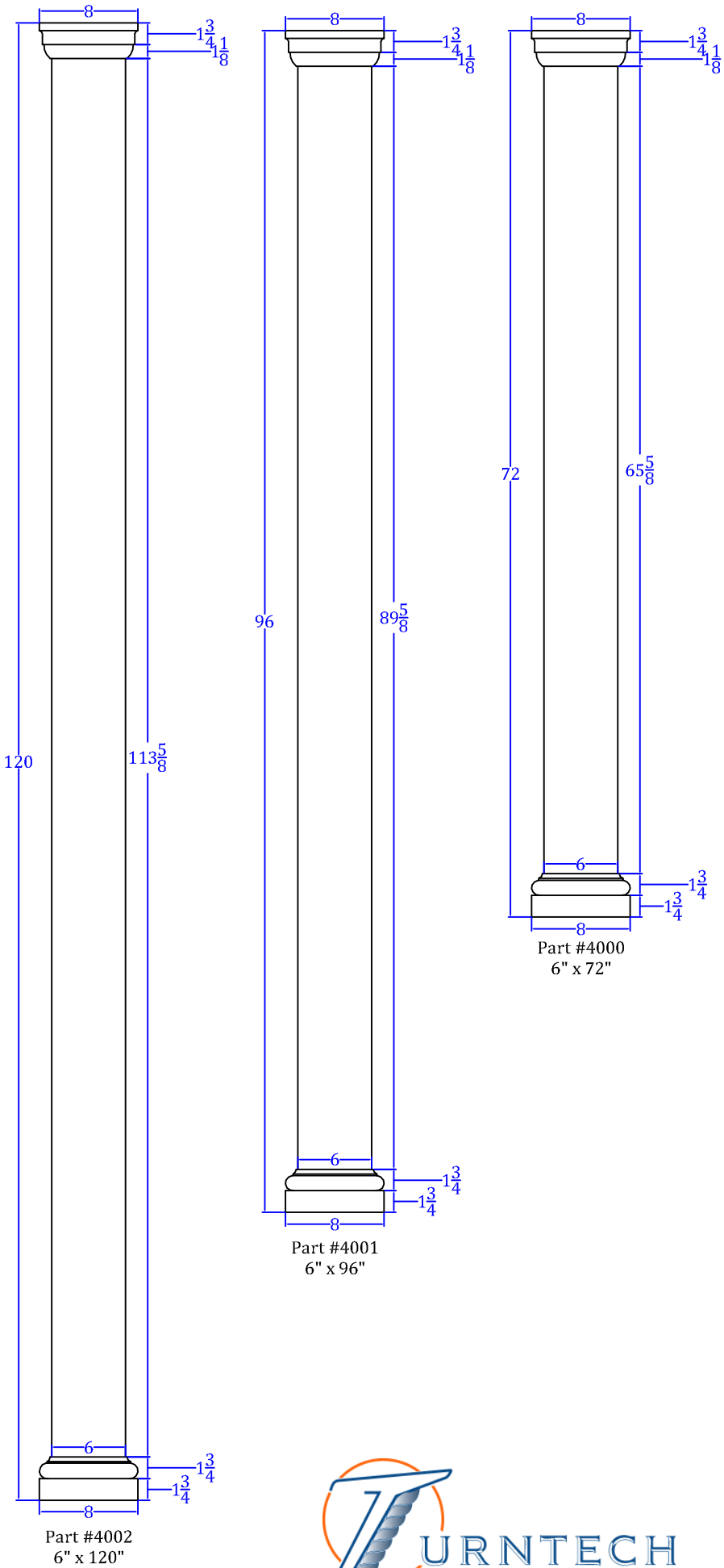
Best regards,
the team from Turntech



TEL 800.792.0695

FAX 717.859.5966

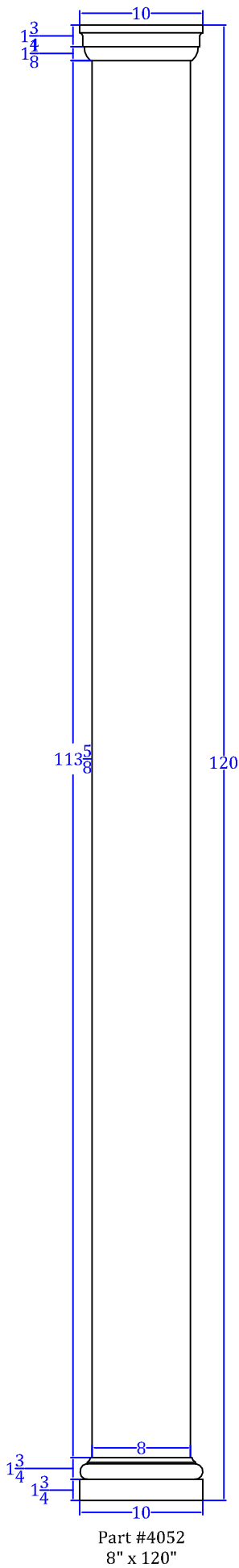
www.customturnings.com



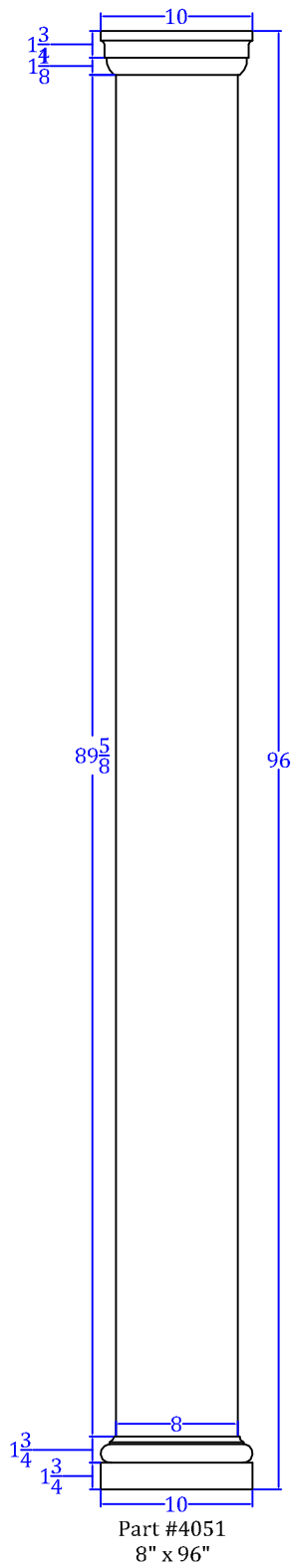
Standard Smooth Columns



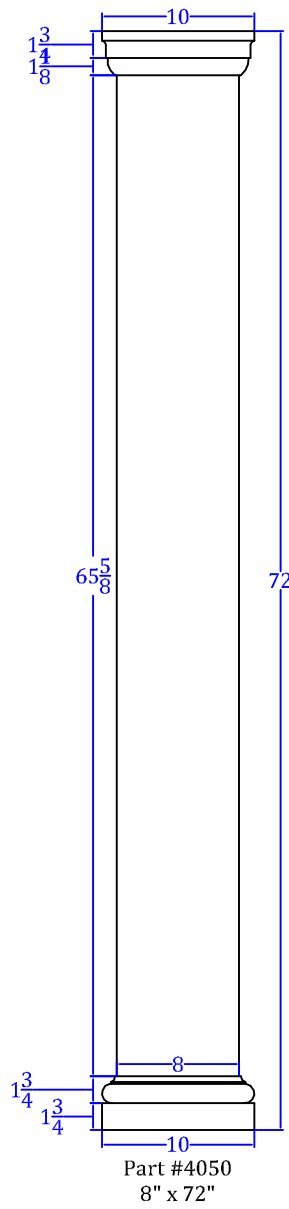
Standard Smooth Columns



Part #4052
8" x 120"

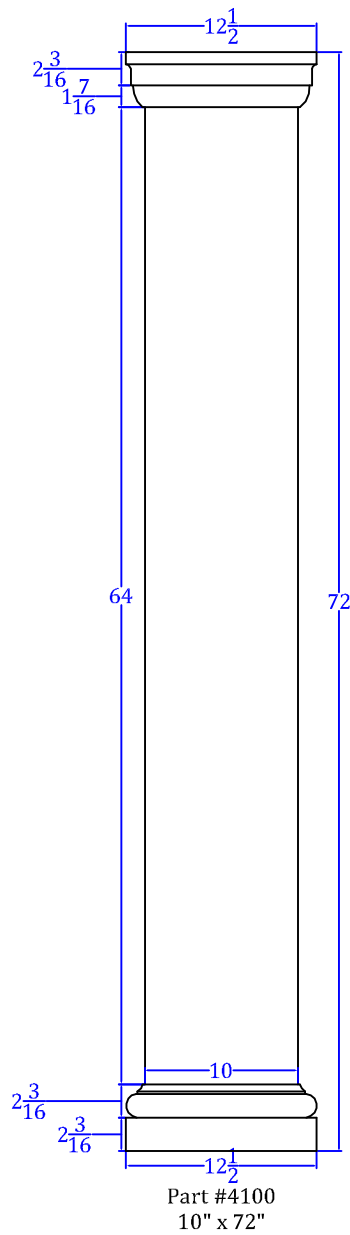
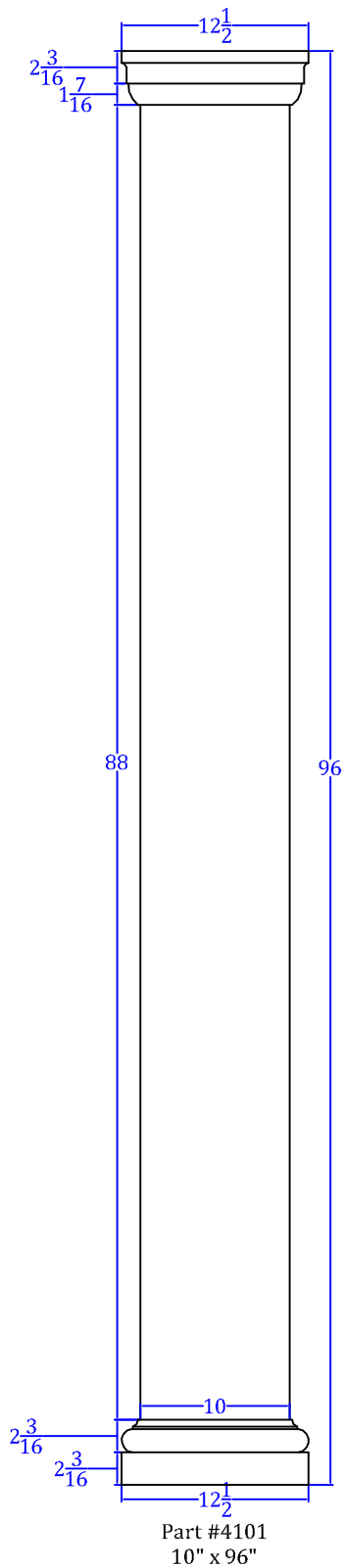
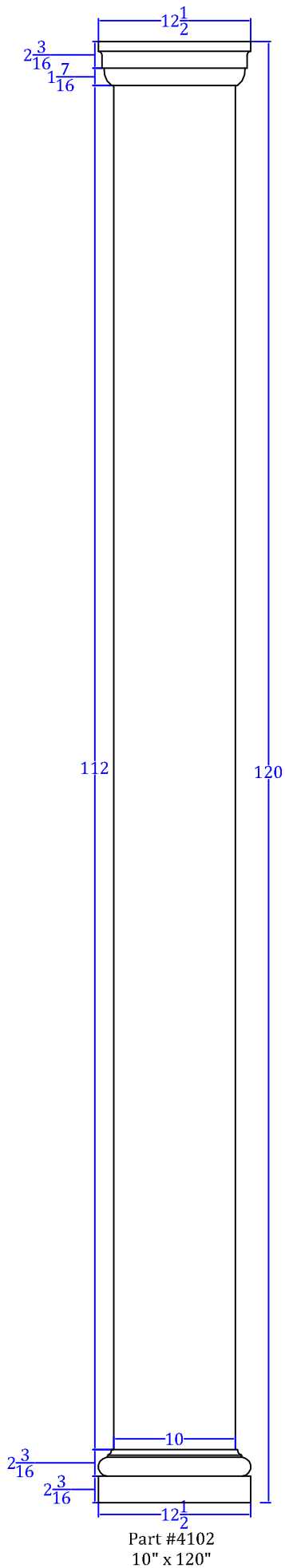


Part #4051
8" x 96"



Part #4050
8" x 72"

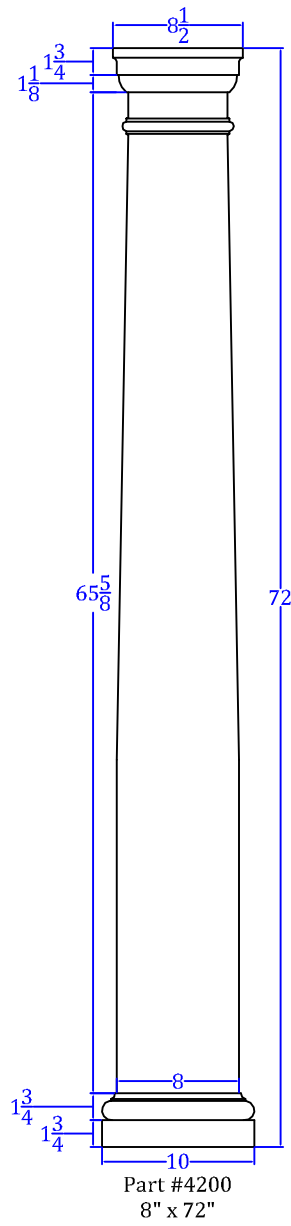
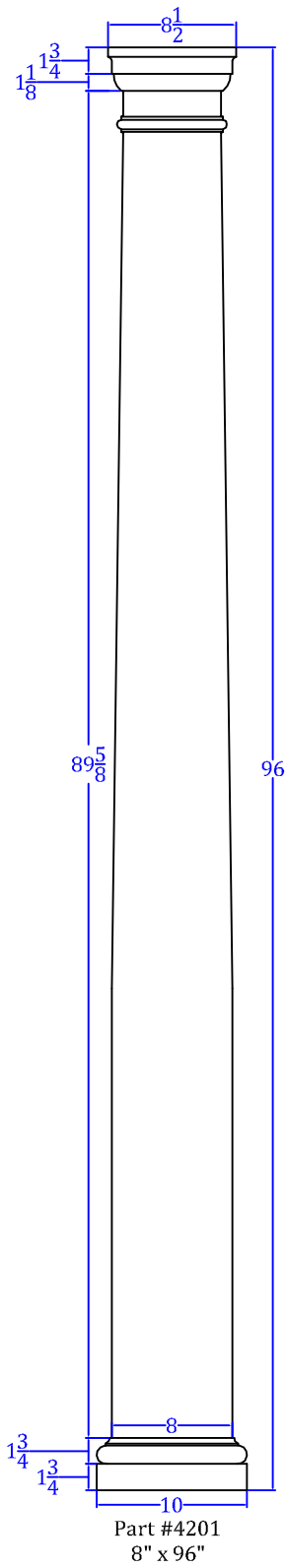
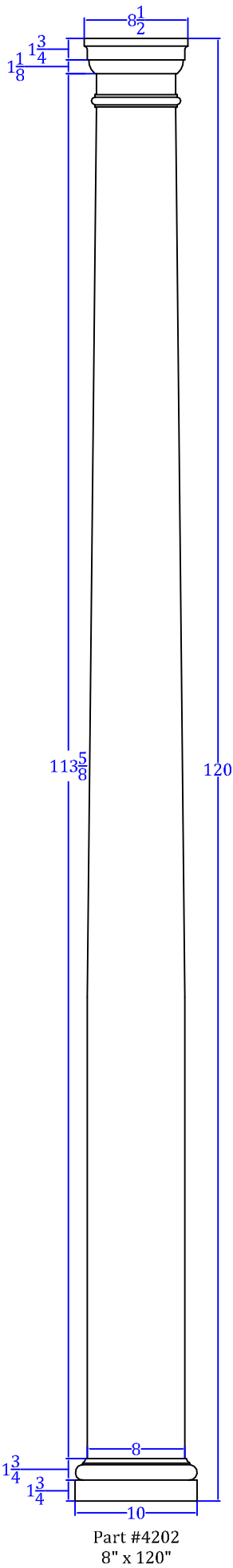




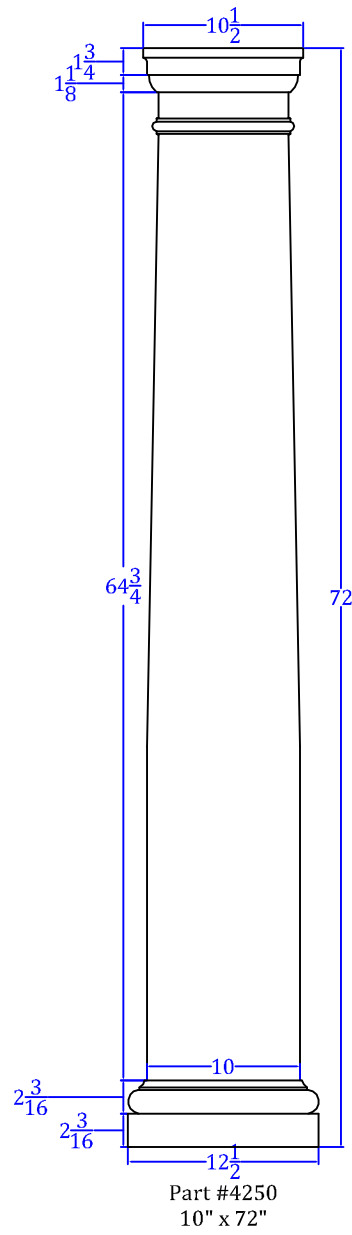
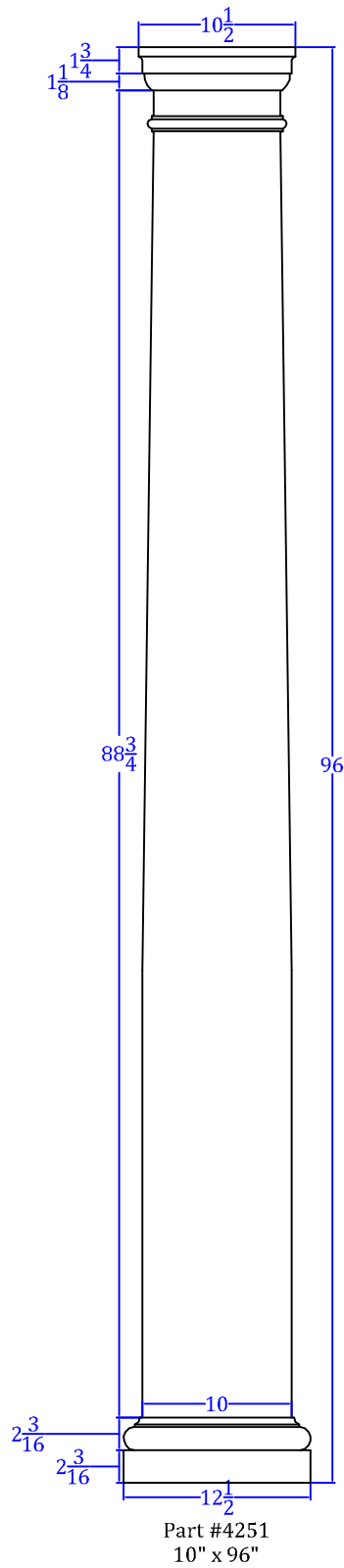
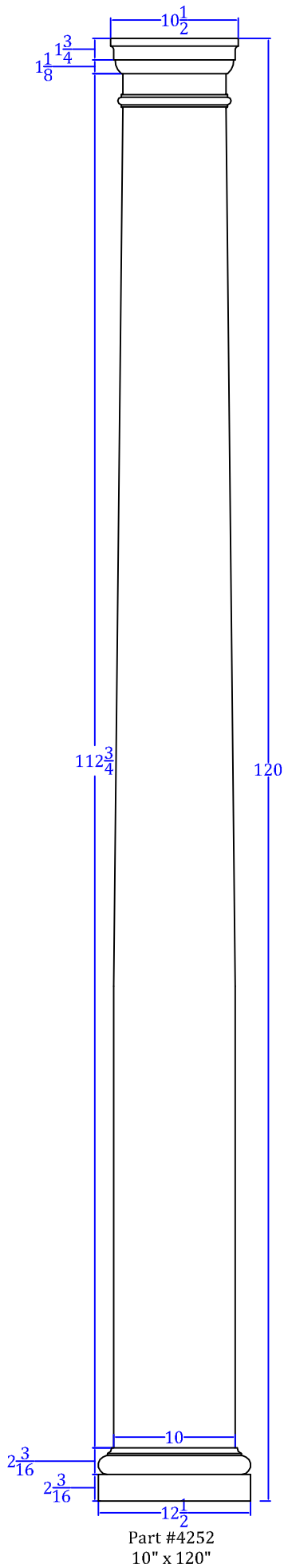
Standard Smooth Columns

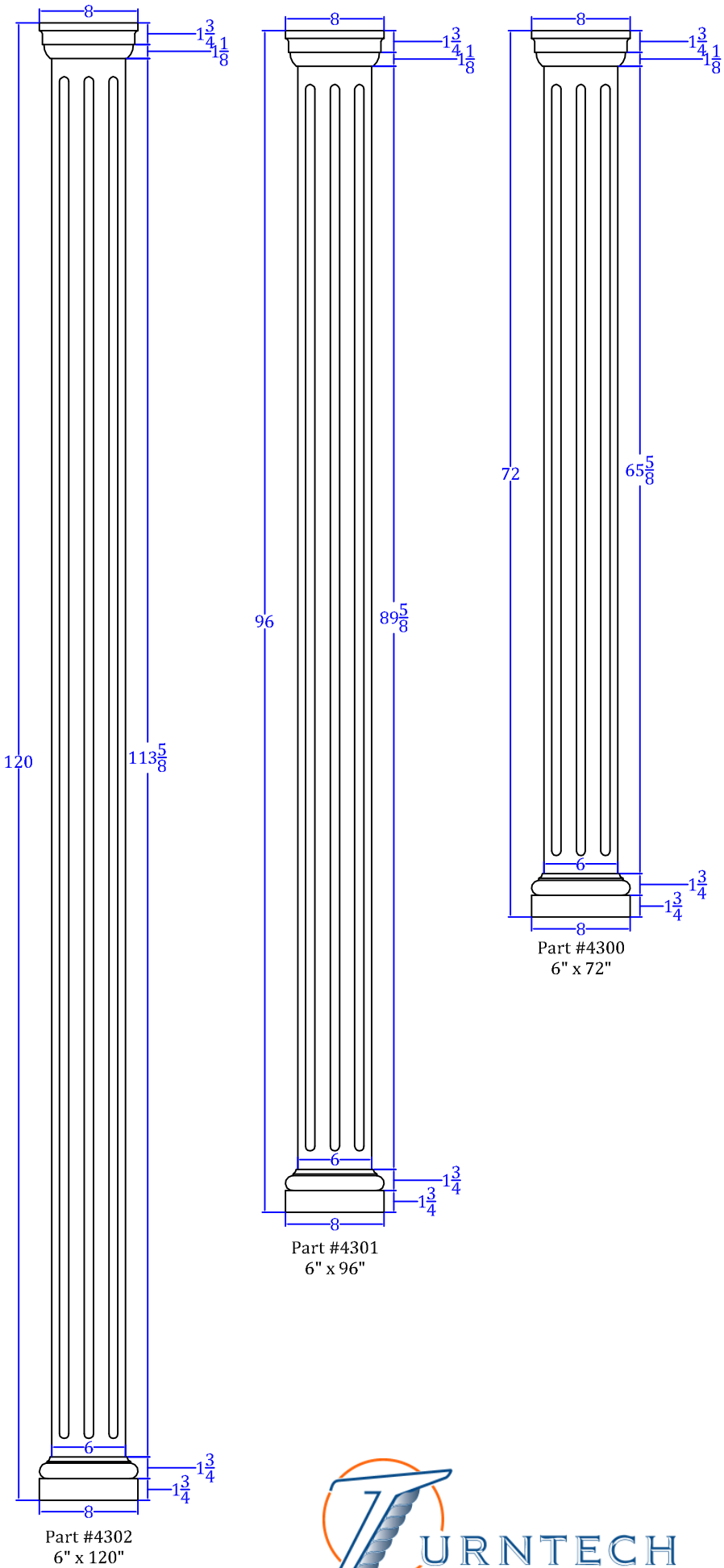


Standard Tapered Columns



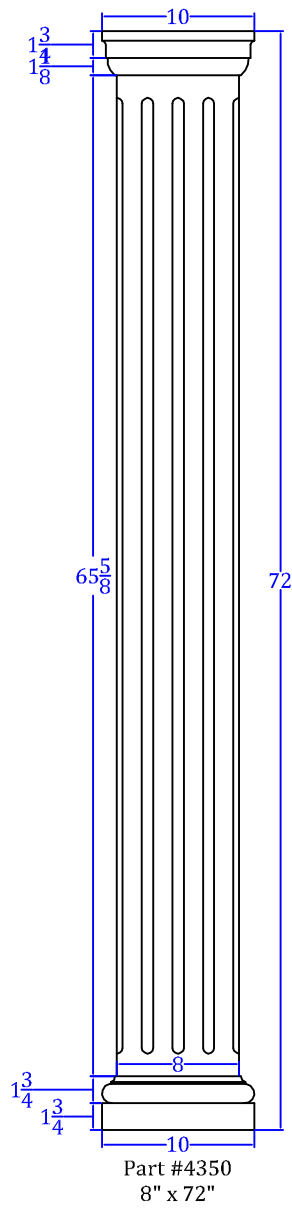
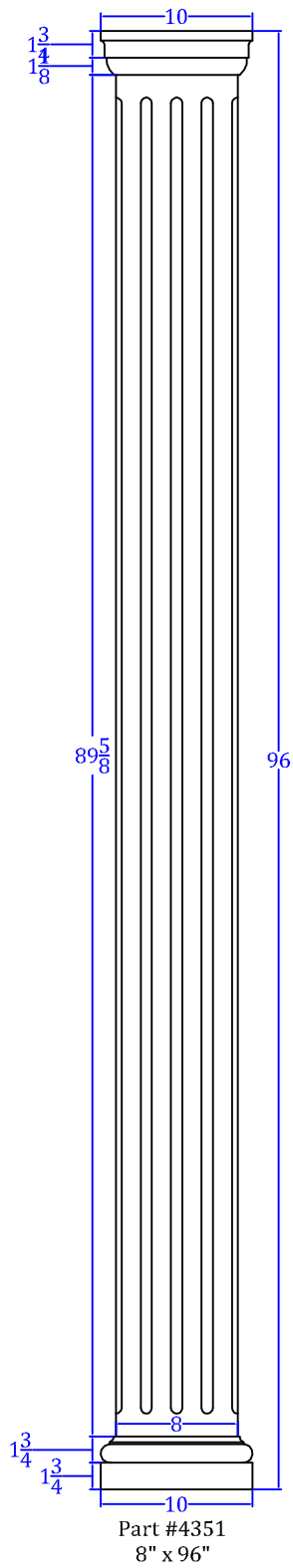
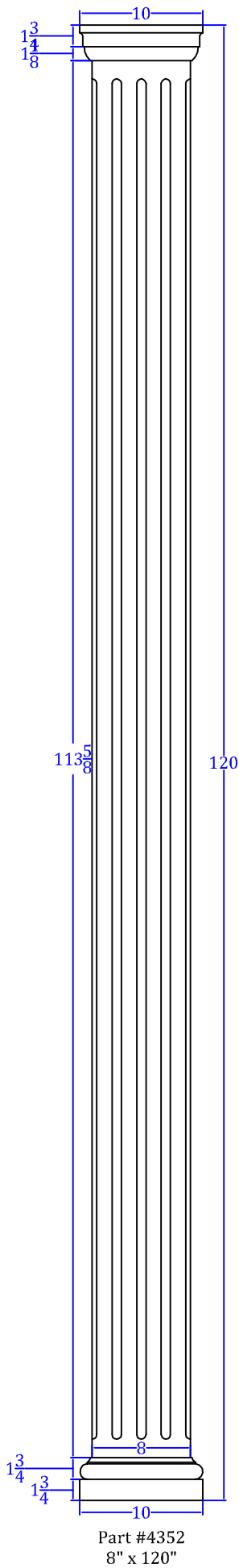
Standard Tapered Columns





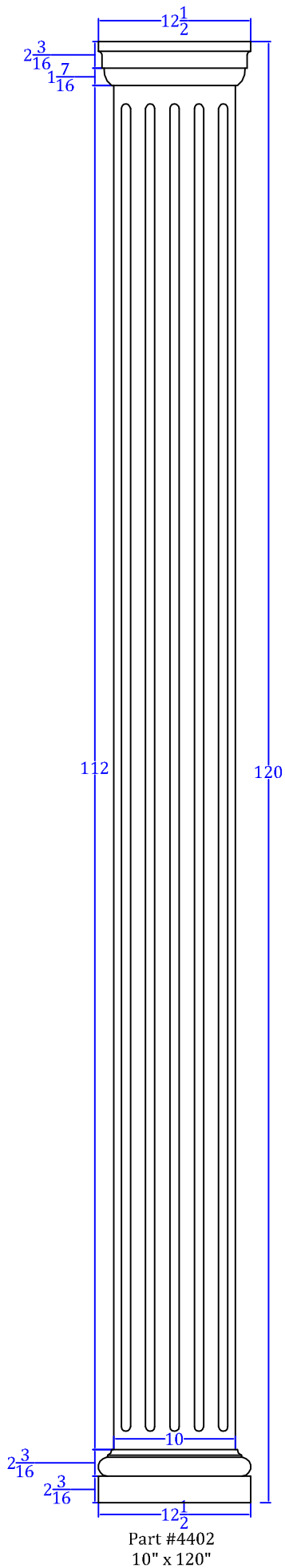
Standard Fluted Columns



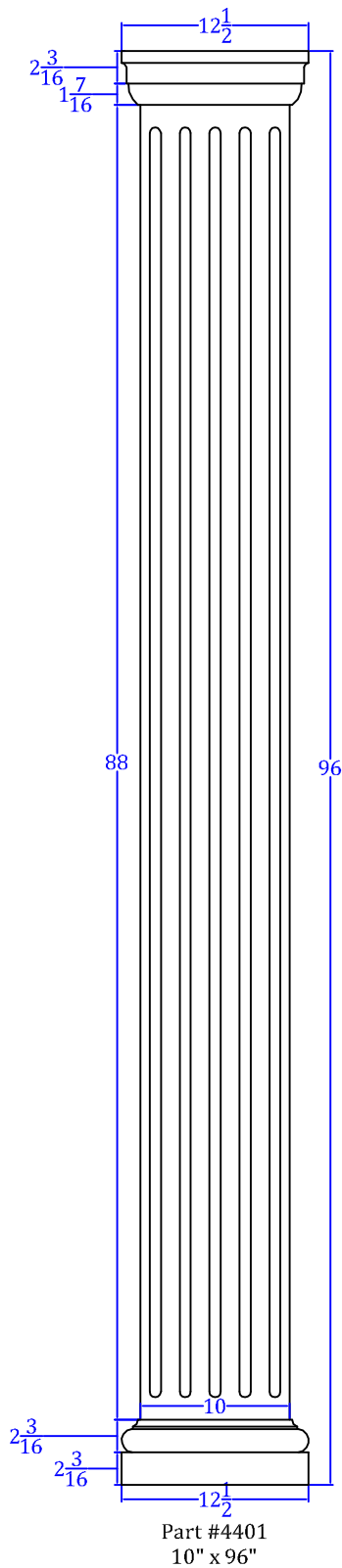


Standard Fluted Columns

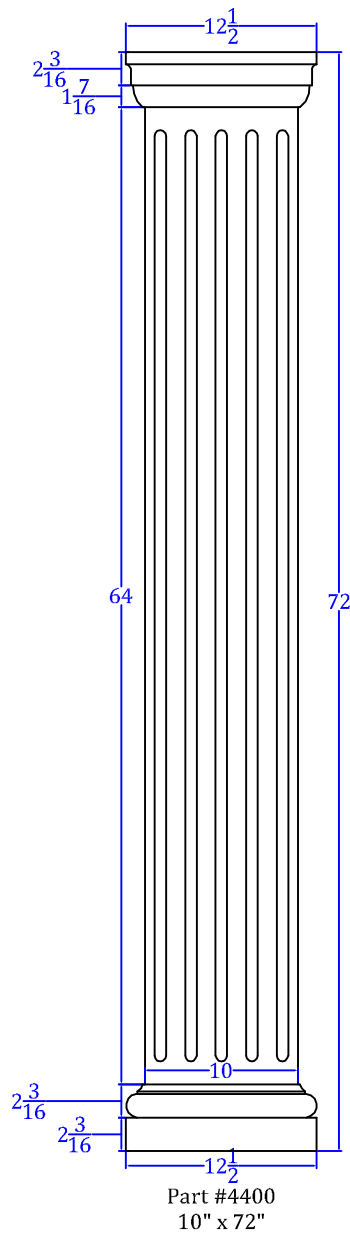




Part #4402
10" x 120"



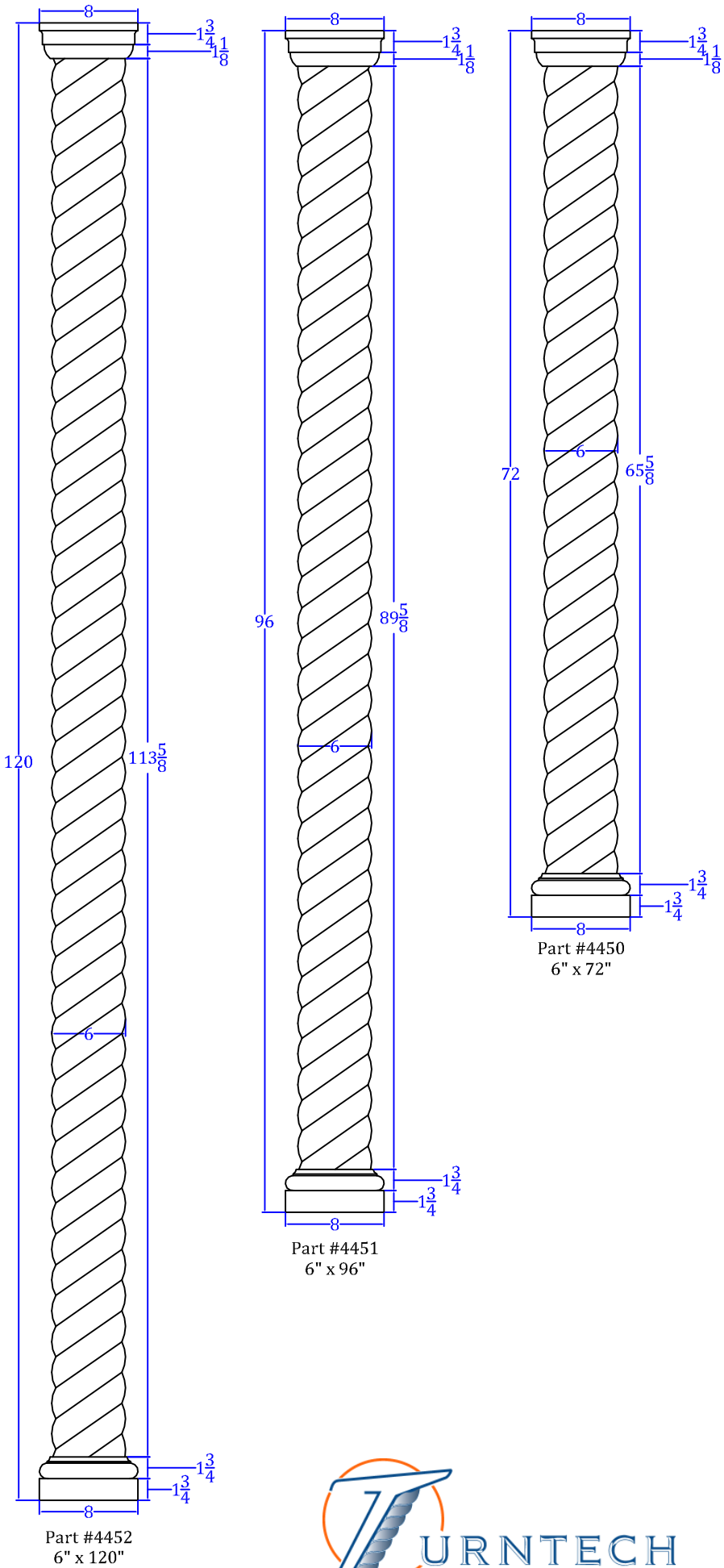
Part #4401
10" x 96"



Part #4400
10" x 72"

Standard Fluted Columns

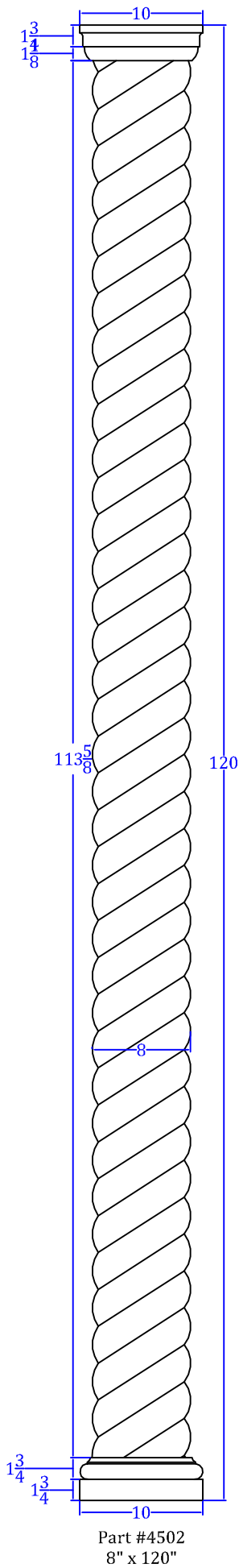




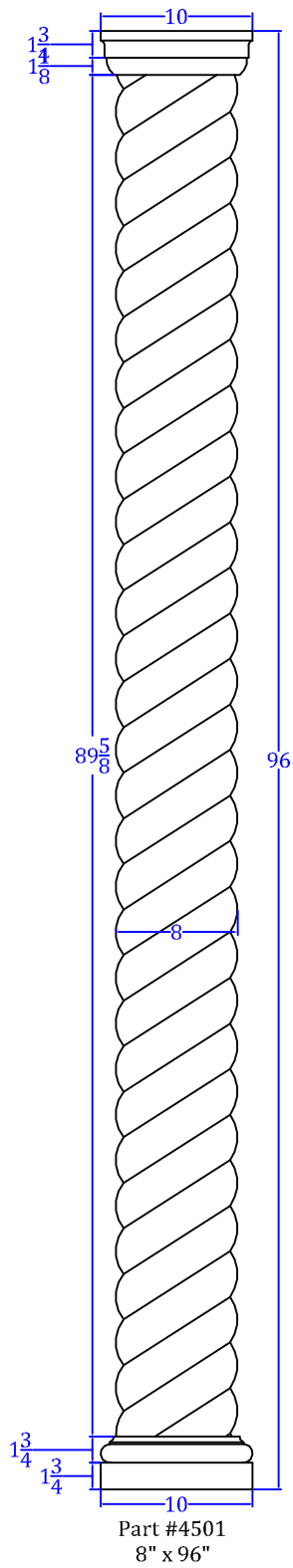
Standard Roped Columns



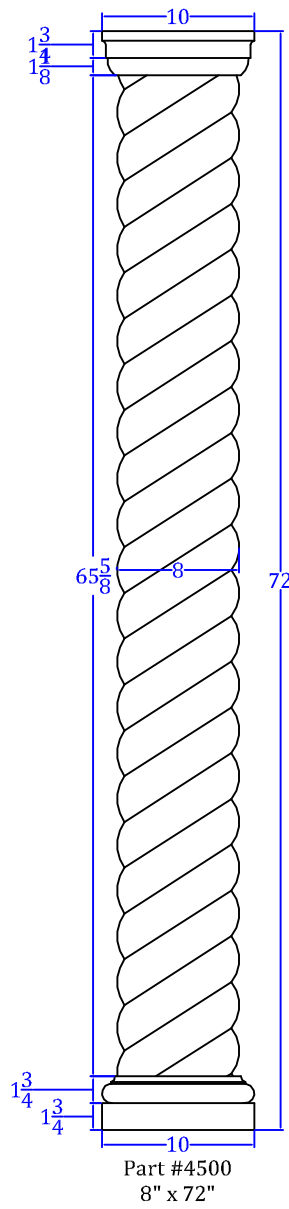
Standard Roped Columns



Part #4502
8" x 120"



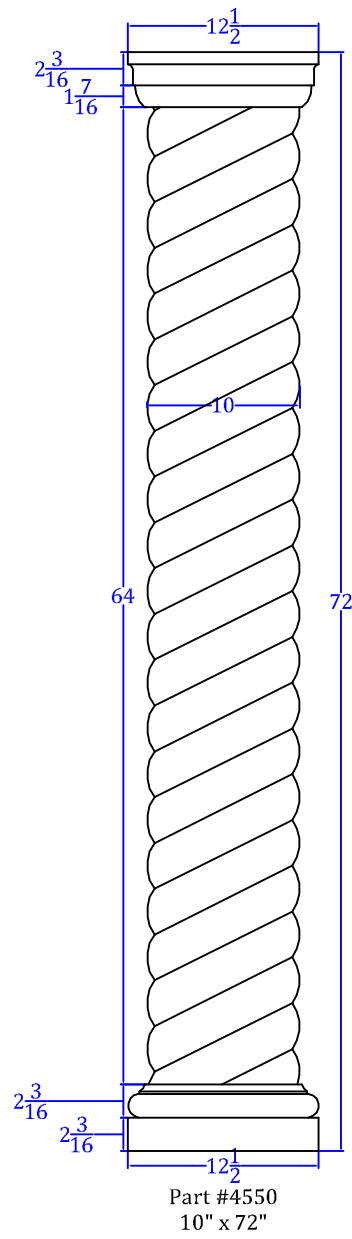
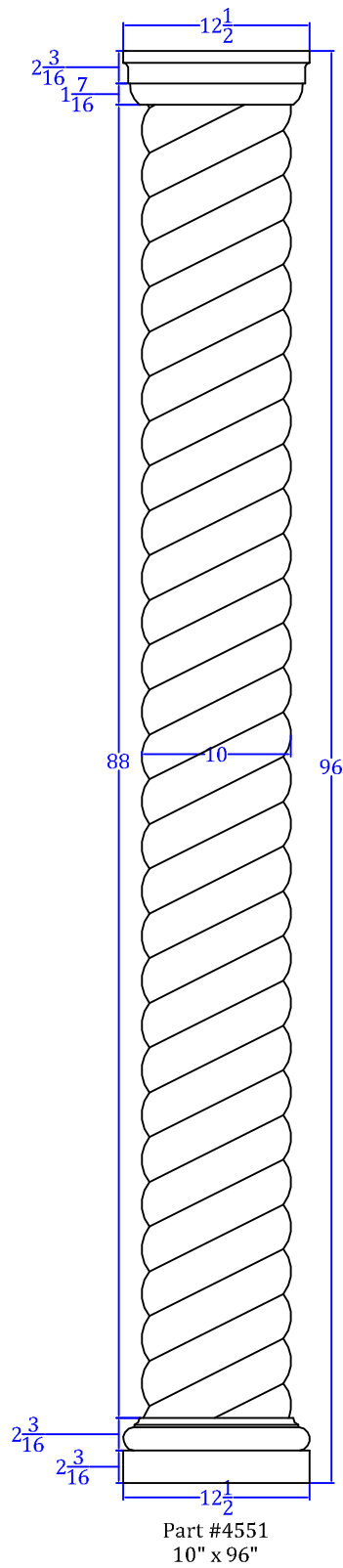
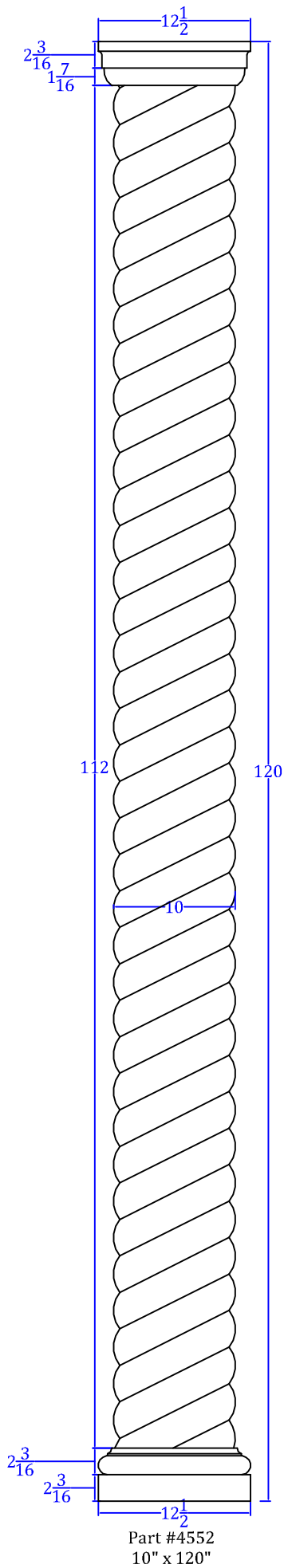
Part #4501
8" x 96"

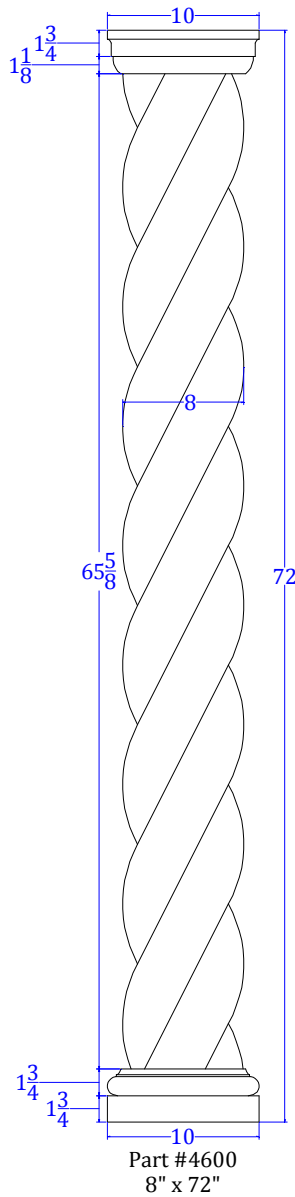
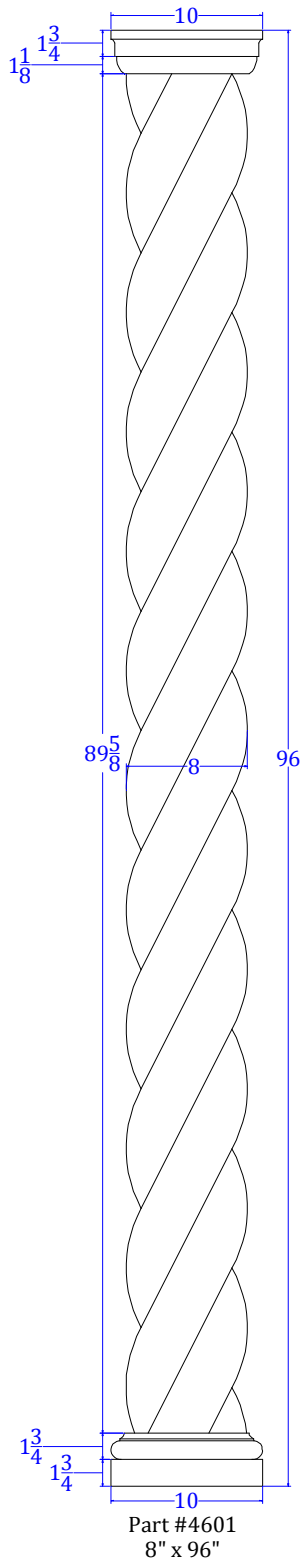
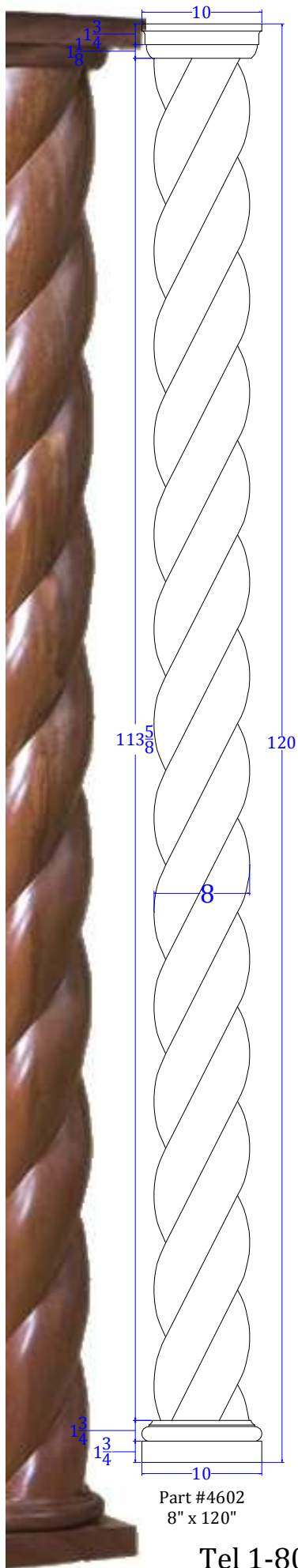


Part #4500
8" x 72"



Standard Roped Columns





Standard Roped Columns

Deeper Rope Column

The deeper roped column has a high quality look. When ordering, please be prepared to wait 3 full weeks to have these manufacturing. Long labor goes into roping/sanding a large strand.

If you have any questions regarding this style column, please feel free to give us a call.

We can custom make this column - any diameter, length, and wood species!

Call us Today at 800-792-0695 to order your high quality column!

