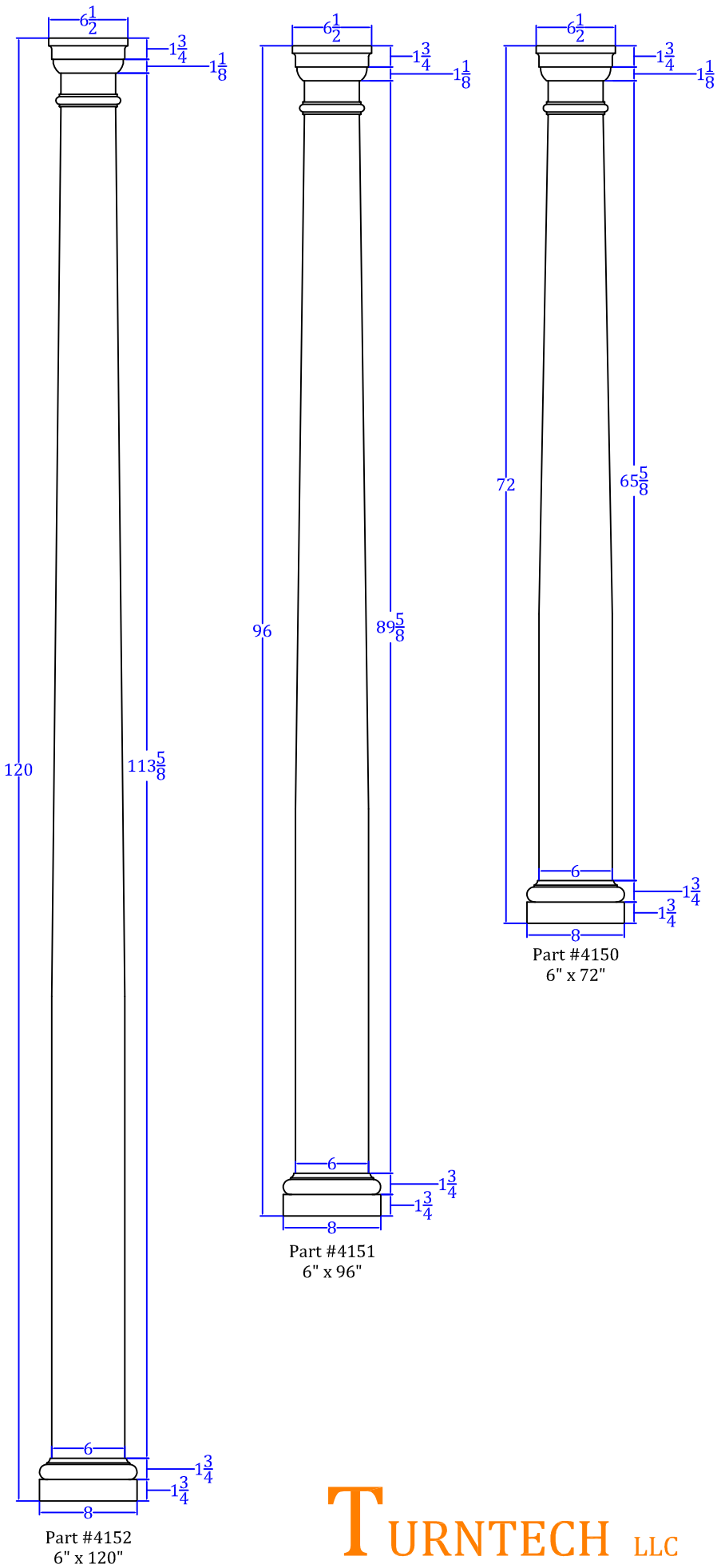


Tapered Columns



TURNTech LLC

Tel: 717-859-5944

customturnings.com