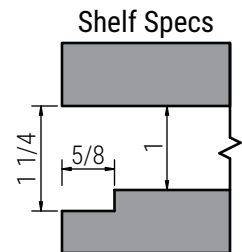
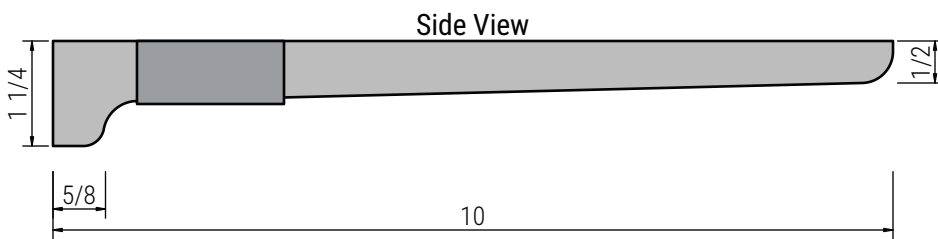
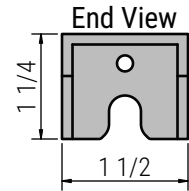
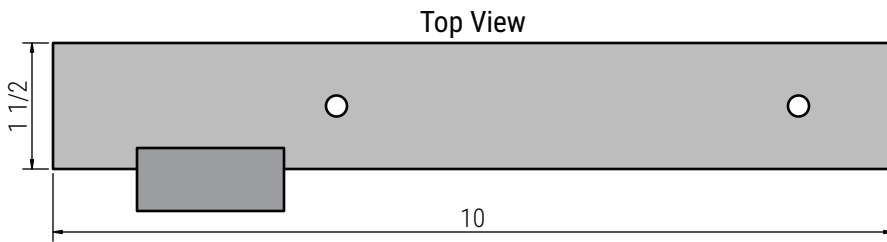
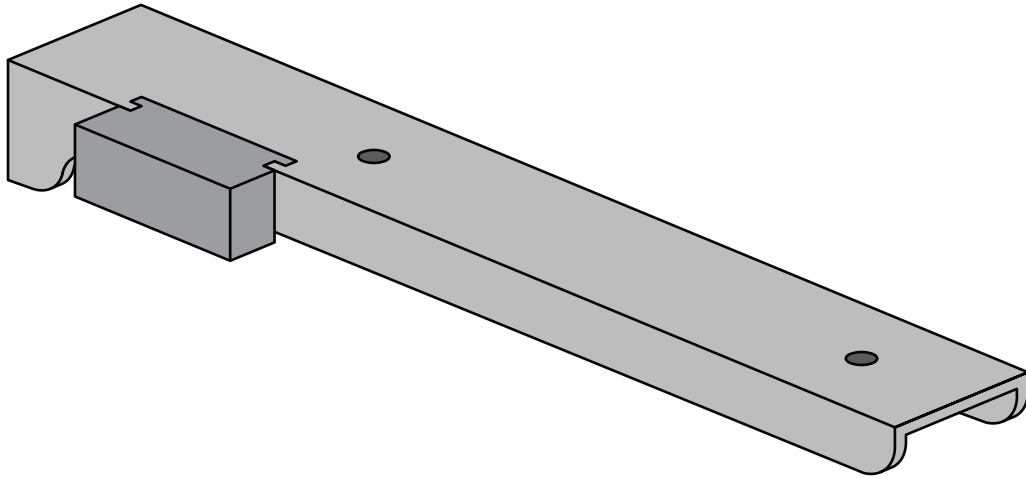




ECO 1280-10 Specs



Weight Limit [per bracket]

Wood Stud: 100 lb

Deflection [wood stud application]

- 100 lb: 1/4"
- 140 lb: 5/16"
- 180 lb: 3/8"
- 220 lb: 1/2"