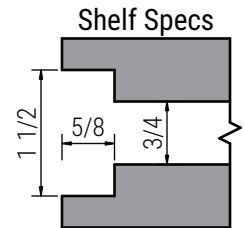
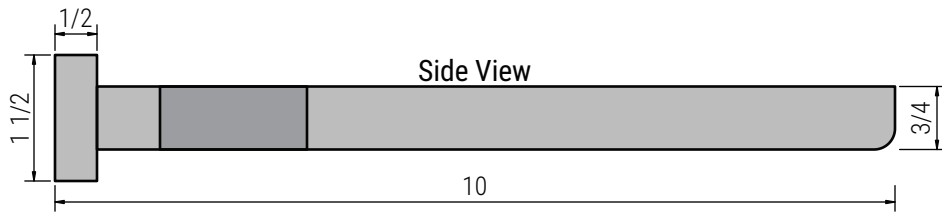
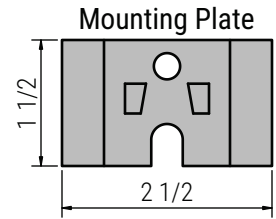
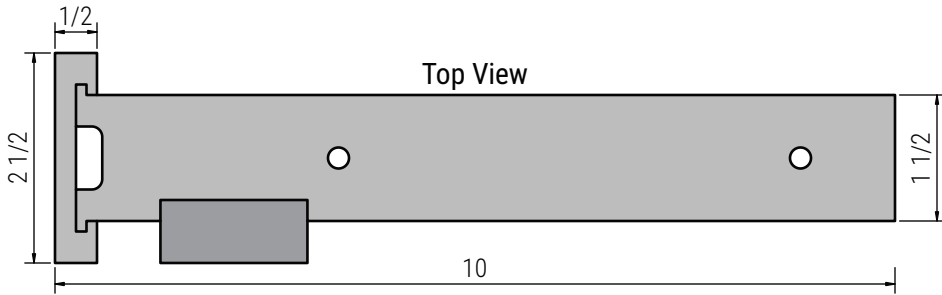
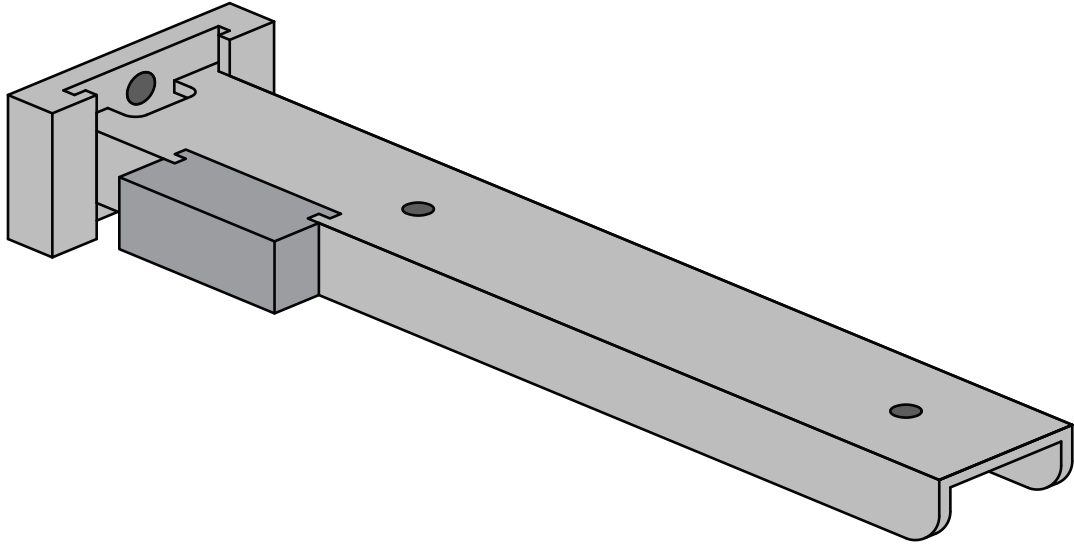




T-LOC 1575-10 Specs



Weight Limit [per bracket]

- Wood Stud: 100 lb
- 1/2" Drywall: 40 lb
- 18ga Steel Stud: 60 lb
- Concrete: 75 lb

Deflection [wood stud application]

- 100 lb: 1/4"
- 150 lb: 3/8"
- 200 lb: 1/2"